

HDMI +RS232 + Audio Fiber Converter

The HDMI Fiber optic extender provides extension of HDMI and 3D signals long distances over one fiber optic cable, it supports high resolution up to 1080P, EDID copy, RS232 signal transmission and transmitter local output function. The extender can use for a wide range of applications requiring long distance transmission of high resolution with high quality by its good stability and powerful security.

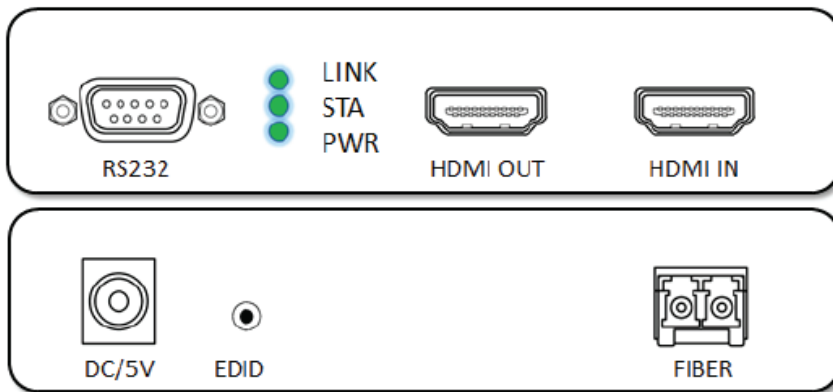


FEATURES

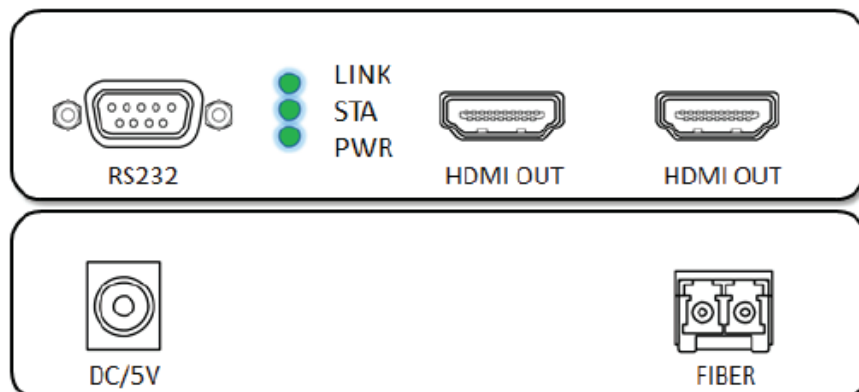
- Transmits HDMI video signals up to 2km-10km over one fiber optic cable
- Support video resolution up to 1920*1080P@60Hz, 3D signal
- Support RS232 signal unidirectional transmission, baud rate self-adaptive
- Support copy EDID, can match many kind display device
- Transmitter support one channel HDMI local output
- Receiver support two channel HDMI output
- Compliance with HDMI 1.3 and HDCP 1.2 standard
- High compatibility, can auto-match source and display device
- Built-in automatic adjustment system, make the image smooth, clear and stable
- Built-in ESD protection system
- Simple to install, plug and play

PANEL

Transmitter



Receiver



AUDIO VIDEO SYSTEM

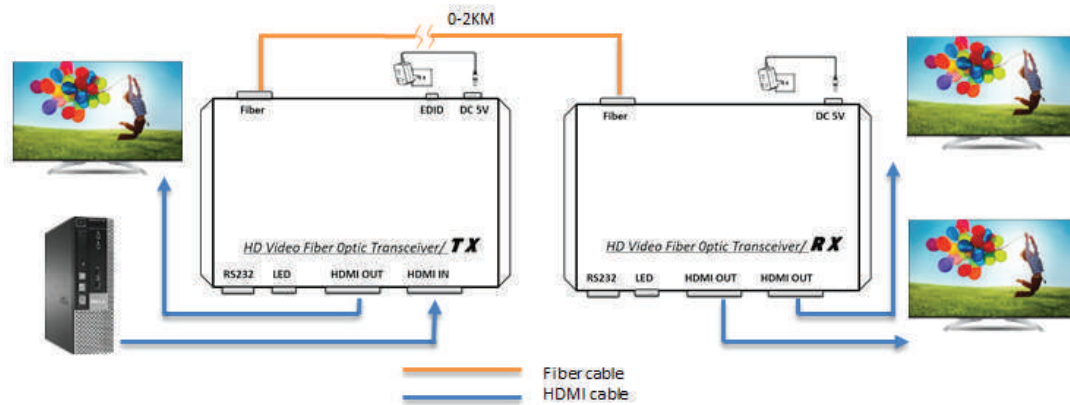
Port name	Description
HDMI IN/OUT	HDMI signal input/output
EDID	EDID Copy button, Press 3 seconds, copy EDID from display device
RS232	DB9 socket
DC/5V	Power adapter socket
FIBER	SFP model --- LC connector
LED indicator	Description
LINK	Optical fiber signal connection indicator
STA	Video signal connection indicator
PWR	System power indicator

SPECIFICATIONS

Video	
Standards	HDMI 1.3; HDCP 1.2
Maximum pixel clock	165 MHz
Maximum data rate	6.75Gbps
Resolution range	480, 576, 720p50/60, 1080p50/60 Hz
Connector	Female HDMI Type A
Impedance	100Ω
RS232	
Interface	DB9 socket
Signal Direction	Unidirectional
Baud Rate	Self-adaptive,Max: 115200bps
Data Bits	8
Optical Fiber	
Interface	SFP model – LC connector
Fiber type	Single-mode
Wavelength	Single-mode 1310nm
Interface bandwidth	10Gbps
Transmission distance	Single-mode fiber: standard 2km ; maximum 10km
Other	
Power supply	The power adapter: DC 5V/2A
Power dissipation	MAX 5W
Temperature	Operating: -56°c ~ +70°c
Humidity	Operating: 5% ~ 90%
Dimension	165*80*30mm

AUDIO VIDEO SYSTEM

DIAGRAM



ORDERING INFORMATION

P\N	Description
LHDMI-1DUD-a-b	HDMI +RS232 + Audio Fiber Converter
a	S- Standalone
R1	1U Rackmount
R4	1U Rackmount with 4x converters
b	T- Transmitter
R	Receiver