

## Lightem MPO Fiber Module

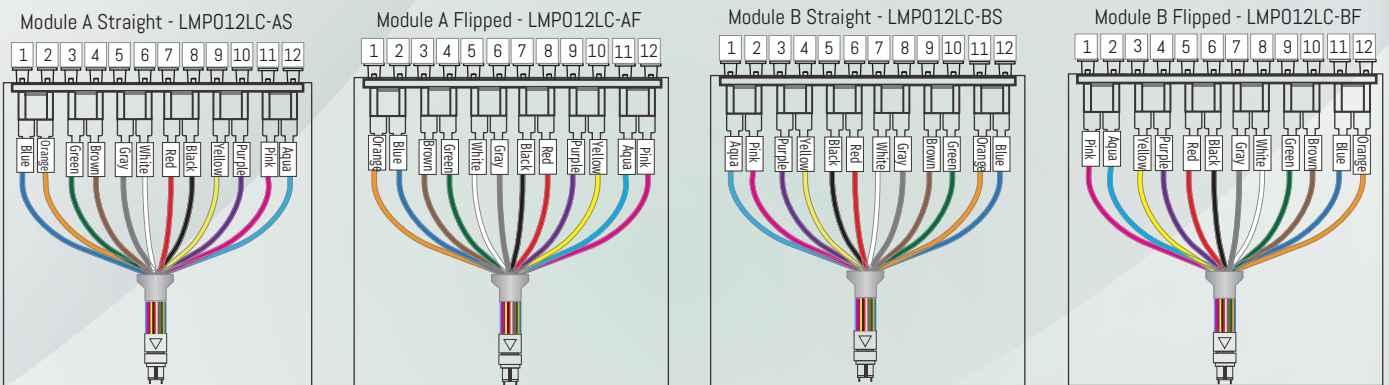


### Features

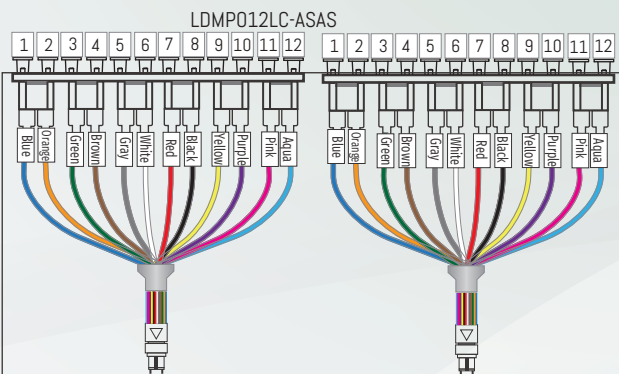
- 19" rack mount from 1U to 4U chassis
- Each module support up to 24 ports LC with 1x MPO12 or 2x MPO24 connectors
- Max. Capacity from 72 ports LC to 288 ports LC

### MPO Modules

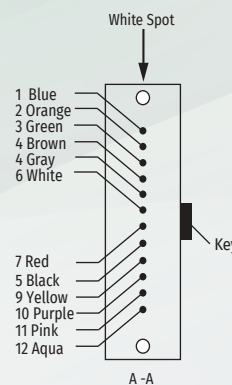
#### Single MPO Modules - 12 Ports



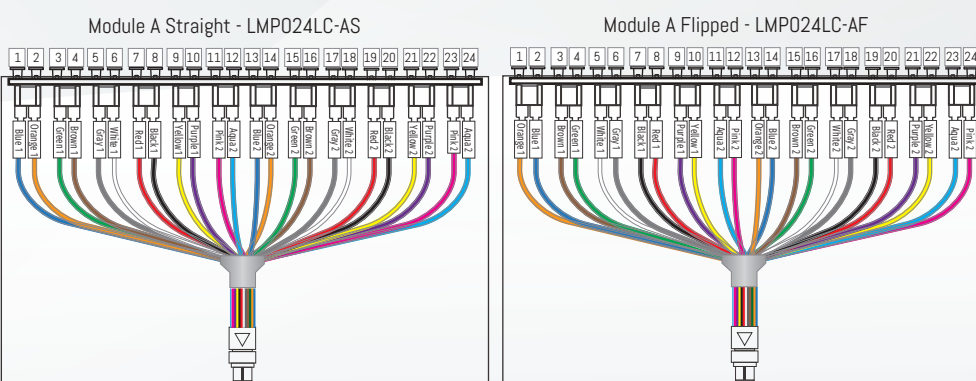
#### Dual MPO Modules - 24 Ports



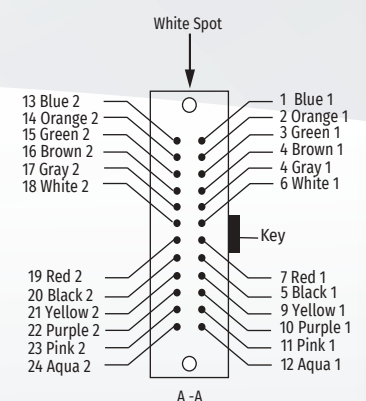
#### 12 MPO Ports Configuration



#### Single MPO Modules - 24 Ports

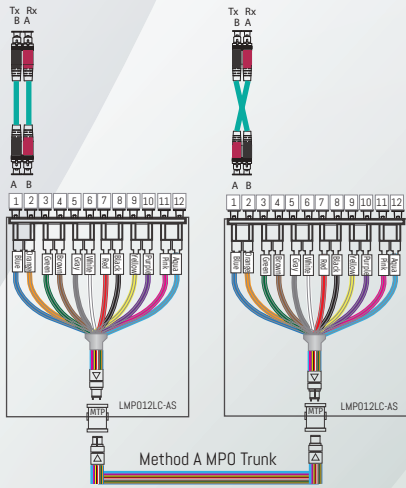


#### 24 MPO Ports Configuration

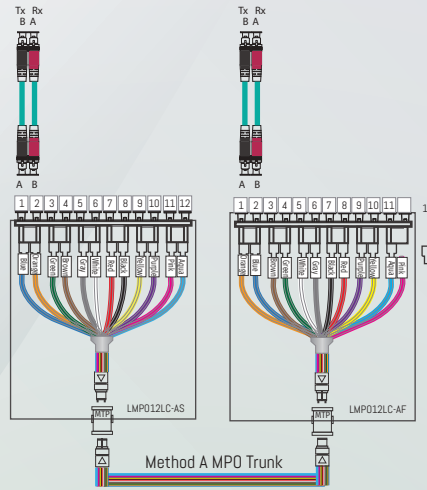


# Application Diagram

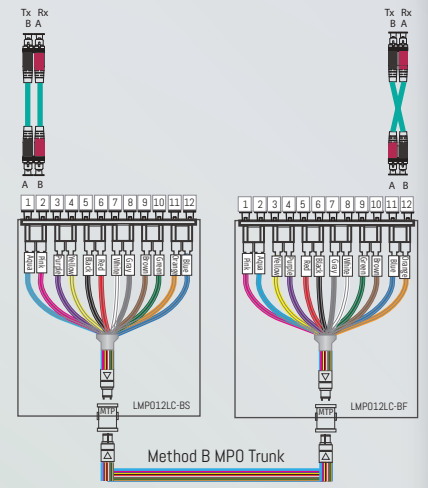
Case 1:  
A Straight Module <-> Method A MPO Trunk <-> A Straight Module



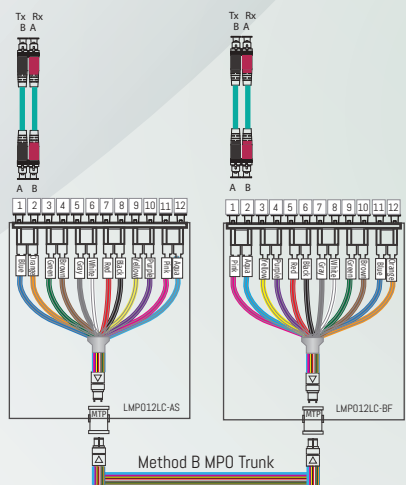
Case 2:  
A Straight Module <-> Method A MPO Trunk <-> A Flipped Module



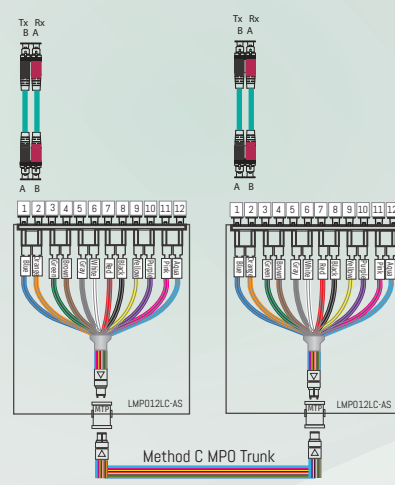
Case 3:  
B Straight Module <-> Method B MPO Trunk <-> B Flipped Module



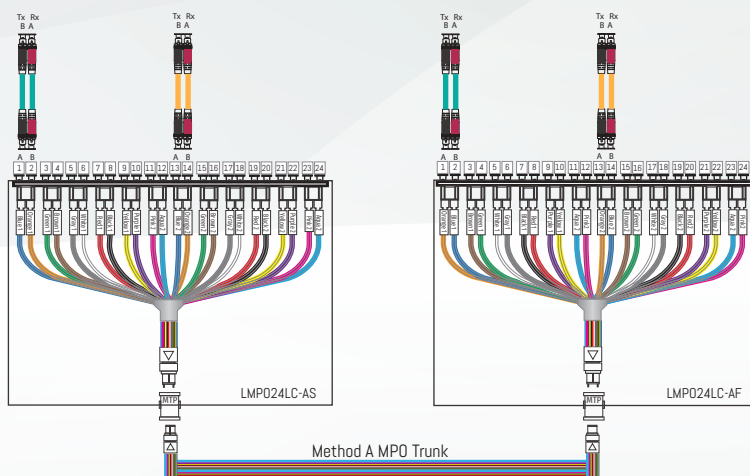
Case 4:  
A Straight Module <-> Method B MPO Trunk <-> B Flipped Module



Case 5:  
A Straight Module <-> Method C MPO Trunk <-> A Straight Module

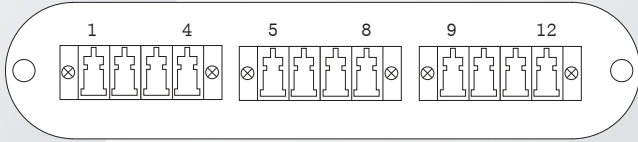


Case 6:  
A Straight Module <-> Method A MPO Trunk (24 core) <-> A Flipped Module

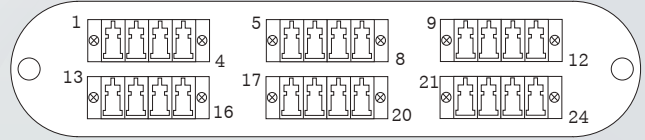


## Module Configuration

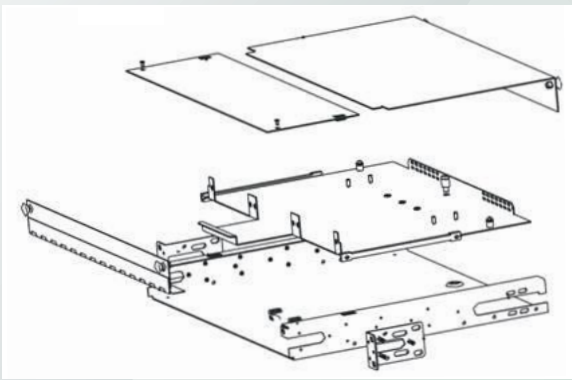
LC Quad (12ports)



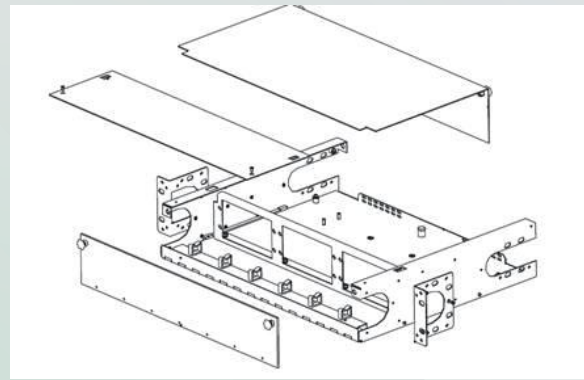
LC Quad (24ports)



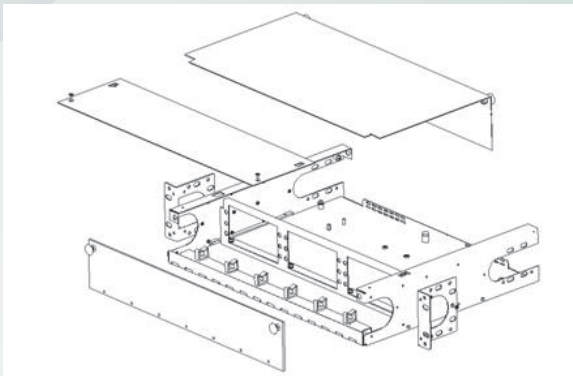
## Assembly Drawing



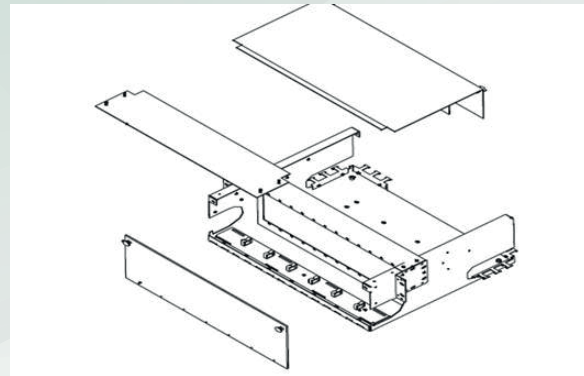
1U



2U



3U

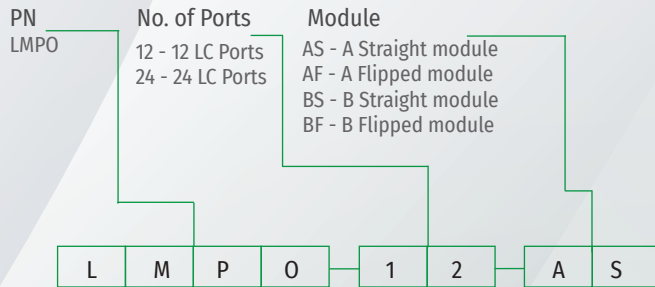


4U

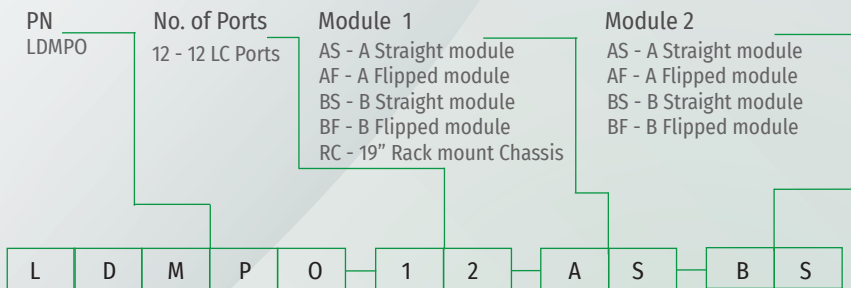
Space	Number of module
1U	3
2U	6
3U	9
4U	12

## Ordering Information

### Single MPO Module



### Dual MPO Module



### Rack mount - 19" 1U Rackmount Chassis for High Density MPO Module, support up to 3x modules

